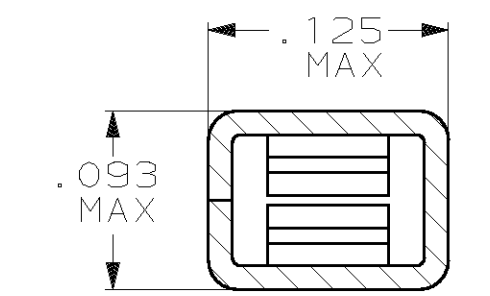
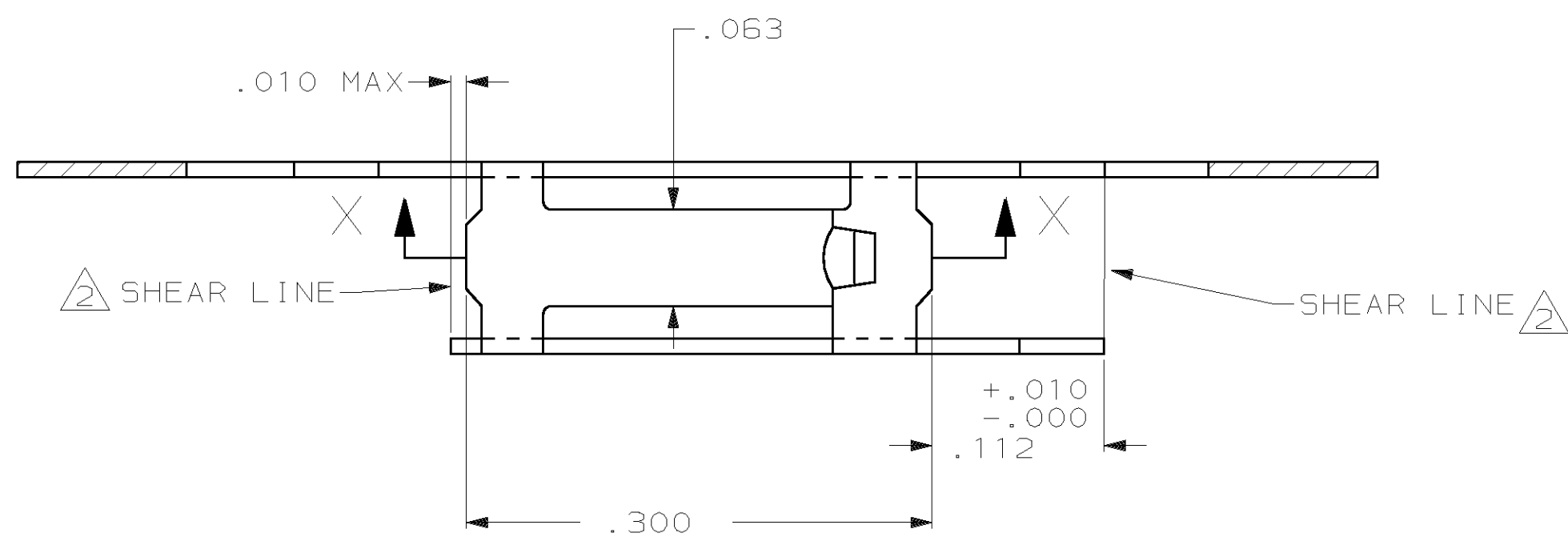
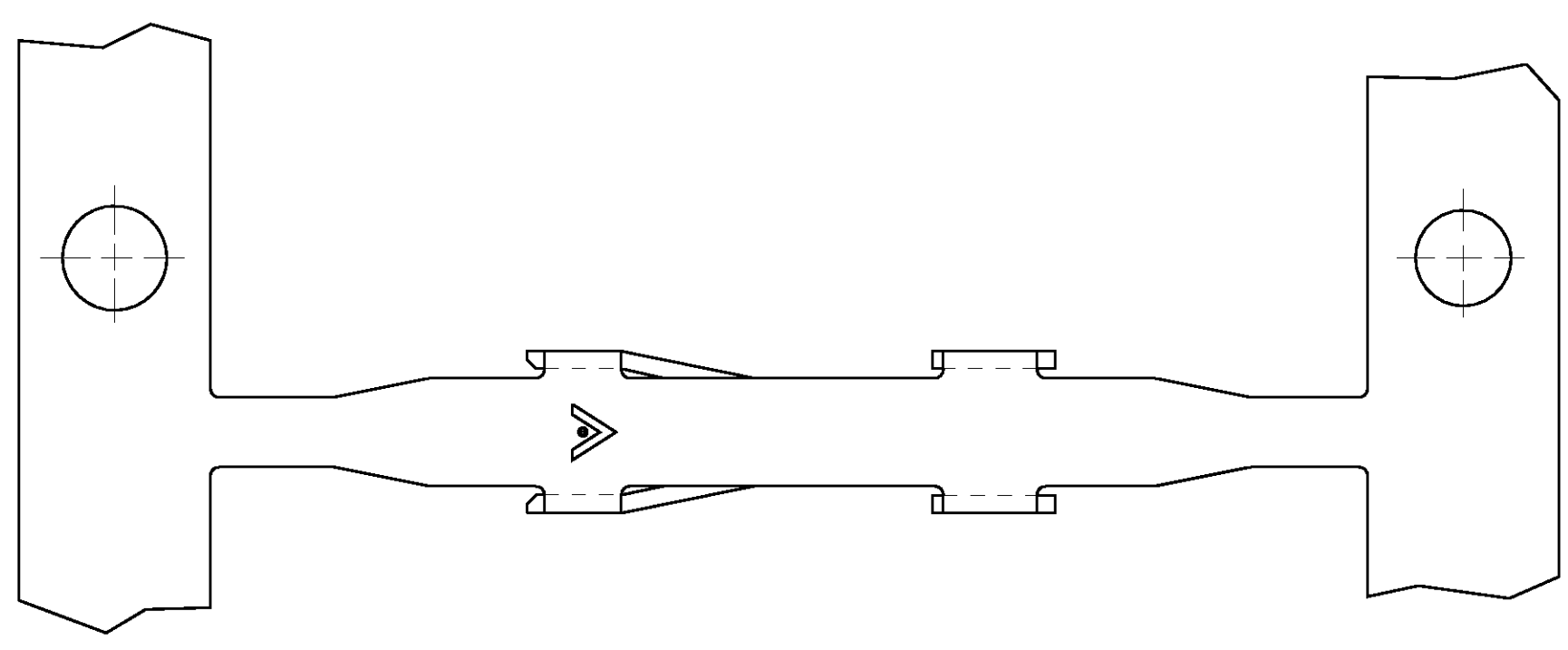
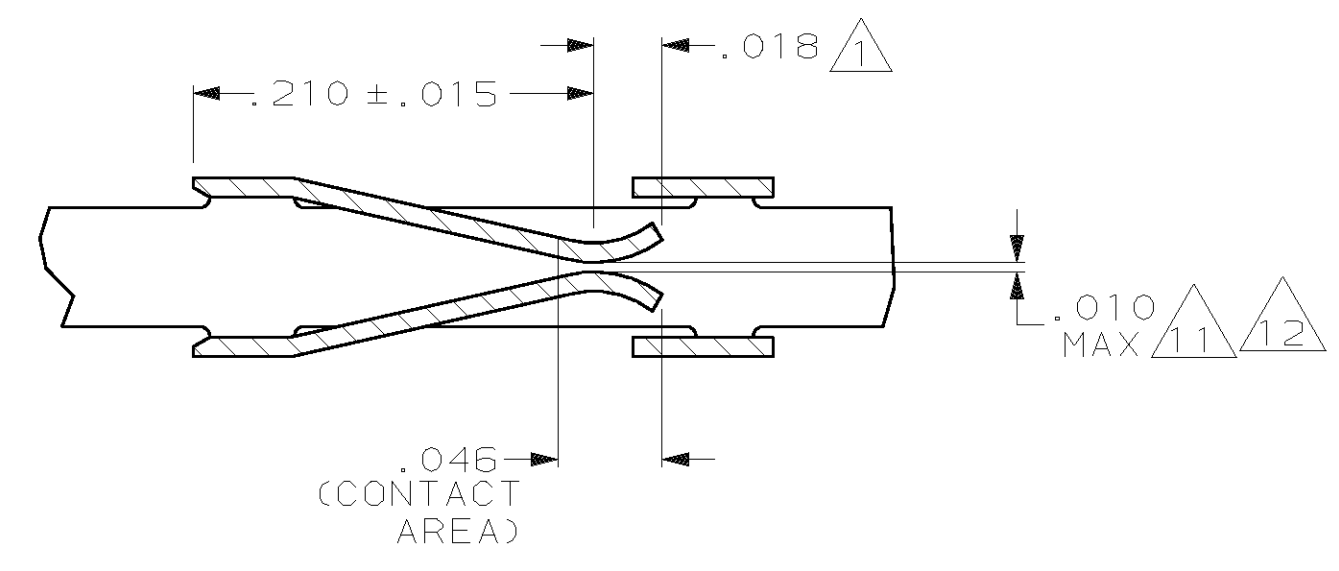
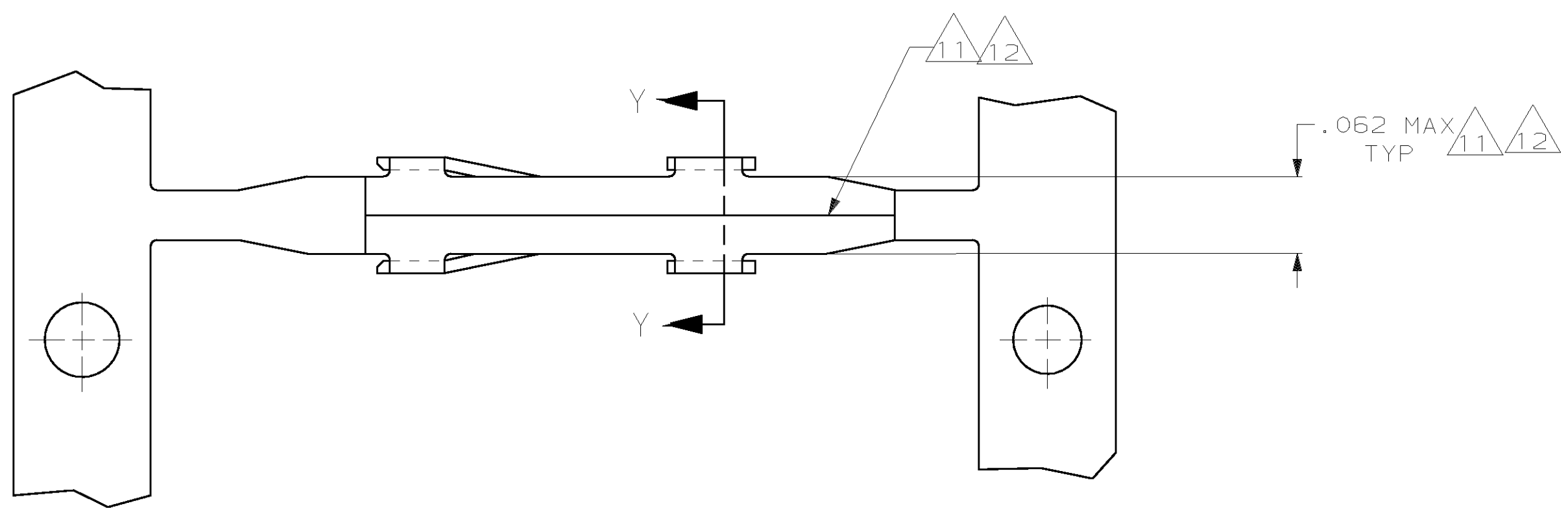


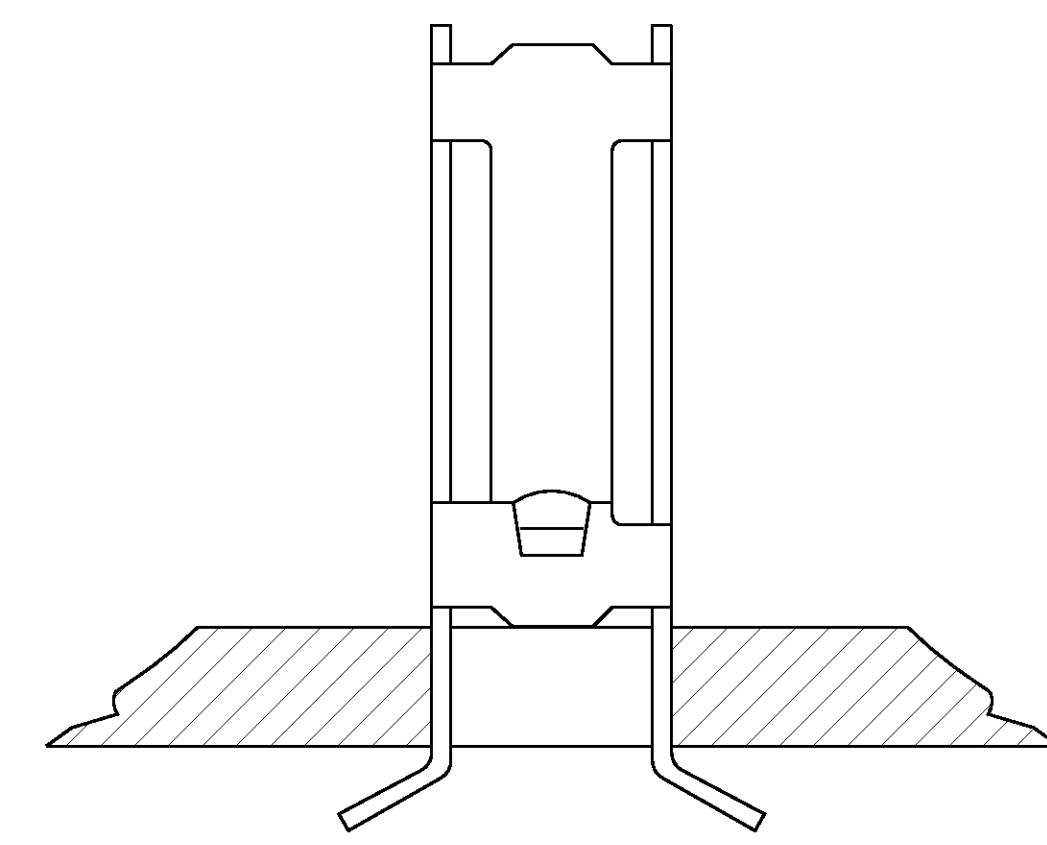
MOD	LOC	DIST	P	F	ZONE	LTR	DESCRIPTION	DATE	APPD
27	AD	39					REV REDRAWN PER AR2730	10-17-89	-
							REV PER ECN AR2785	11-10-89	JPG
							REV LOC & DIST AD-4171	3-90	BF
							REV PER 0010-1410-93	1-8-94	SS
							REV PER 0010-1103-93	3-16-94	SAS
							REV PER 0010-1175-95	12-30-96	JH
							REV PER EC 063C-230-02	23JUL02	DS



SECTION Y-Y



SECTION X-X



TYPICAL APPLICATION

- 1 POINT OF MEASUREMENT FOR PLATING THICKNESS (INSIDE BEAMS)
- 2 SHEAR LINES DEFINE LOOSE PIECE PART.
- 3 PLAIN.
- 4 .000030 GOLD OVER .000050 NICKEL ENTIRE TERMINAL.
- 5 TIN PLATED.
- 6 GOLD FLASH OVER .000050 NICKEL ENTIRE TERMINAL, .000030 GOLD IN CONTACT AREA ONLY.
- 7 GOLD FLASH OVER .000050 NICKEL ENTIRE TERMINAL, .000015 GOLD IN CONTACT AREA ONLY.
- 8 .000015 GOLD IN CONTACT AREA, .000100-.000200 BRIGHT TIN-LEAD ON TERMINATION AREA, ALL OVER .000050 NICKEL ENTIRE TERMINAL.
- 9 .000030 GOLD IN CONTACT AREA, .000100-.000200 BRIGHT TIN-LEAD ON TERMINATION AREA, ALL OVER .000050 NICKEL ENTIRE TERMINAL.
- 10 OBSOLETE PART NUMBER.
- 11 .005 SEAM OPENING PERMISSIBLE
- 12 NOTED DIMENSIONS CHECKED WITH .000 SEAM OPENING.

FINISH	REEL FOR APPLICATOR	LOOSE PIECE PART NO	PART NUMBER
3		85424-1	85489-1
4		85424-2	85489-2
5		85424-3	85489-3
6		85424-4	85489-4
7		85424-5	85489-5
8		85424-6	85489-6
9		85424-7	85489-7

DO NOT SCALE PRINT. UNLESS SPECIFIED DIMENSIONS IN INCHES TOLERANCES ON:		DR 10-17-89 D KEITZER		AMP INCORPORATED Harrisburg, Pa. 17105	
2 PLC DEC ±		CHK 10-23-89 SCOTT A SHUEY		NAME	
3 PLC DEC ± .005		APPD 10-23-89 MARIAN P CLARK		RECEPTACLE, MOD I, STANDARD PRESSURE, TYPE B	
ANGLES ±		APPD 10-23-89 B FLINCHBAUGH		SIZE	
MATERIAL		PRODUCT SPEC		CAGE CODE	
PHOS. BRONZE		-		00779	
FINISH		APPLICATION SPEC		DRAWING NO	
SEE TABLE		-		85489	
WEIGHT		-		SCALE	
-		-		10:1	
				SHEET	
				1 OF 1	